

# THS 05T

## TEM HOLDER STORAGE STATION

The THS 05T is a high-vacuum TEM sample holder storage station that uses an oil-free diaphragm pump and a molecular pump group to quickly achieve a high vacuum level lower than  $10^{-4}$  Pa. It is particularly suitable for the degassing of Dewar flasks for cryo-EM sample holders and for the routine vacuum storage and moisture removal of TEM sample holders.

Touchscreen automatic control, plug and play.



Oil Free

Automatic Pressure  
Maintenance

High Vacuum

SuPro Instruments LTD

Nanshan,

Shenzhen, China

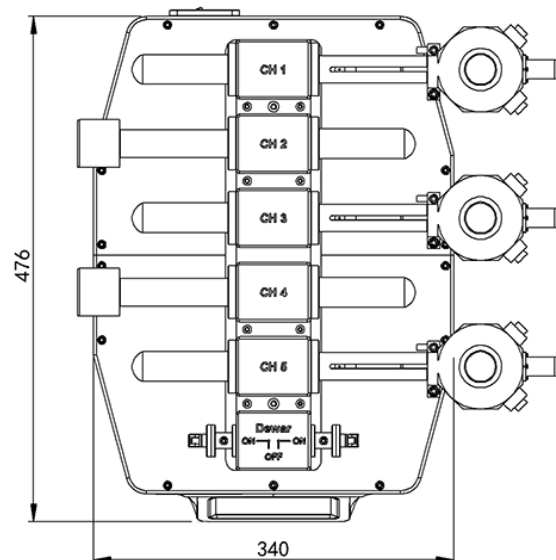
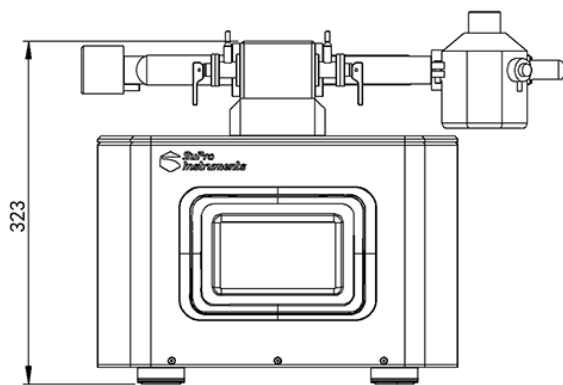
[www.suproinst.com](http://www.suproinst.com)

Tel: 86-755-26642901

Fax: 86-755-26419205

Email: [sales@suproinst.com](mailto:sales@suproinst.com)

Technical Specifications	Parameters
Vacuum Pump System	Turbo Pump and Oil-free Diaphragm Pump
Turbo Pump Speed	>85 L/s (N <sub>2</sub> )
Diaphragm Pump Speed	>0.7m <sup>3</sup> /h
Ultimate Vacuum	<1E-4Pa
Pumping Down Time	<5min
Vacuum Gauge	Full-range Compound Gauge
Dewar Flask Exhaust Port	Max. 2
Storage Capacity	Max. 5 TEM Sample Holders, Optional Flanges for FEI, JEOL, Hitachi
Operating Method	Touchscreen Control with the Control System Providing Interlock Protection Functions
Weight	~15Kg
Dimensions	320mm * 400mm * 242mm
Power Supply	100-220V AC, 50/60Hz Grounded Three-prong Plug
Power Consumption	<200W
Warranty	One Year
Remarks	The above-listed technical specifications and parameters are subject to up dates without further notice. Contact us if you have any questions.



Shenzhen SuPro Instruments Co., Ltd

Address: B2009, Ruifeng Entrepreneurship Center, Nanshan District, Shenzhen, Guangdong, China

Telephone: + 86-755-26642901

Fax: + 86-755-26419205

E-mail: sales@suproinst.com

www.suproinst.com